



Conco electrified articulated jib crane

Offers operators the lateral maneuverability of an articulated jib arm with the added flexibility provided by a prewired electric supply. This new jib arm features:

- Two 360° pivot arms that can reach and operate in confined areas where standard jib cranes cannot
- Ease of movement and accurate positioning assured with heavy roller bearings in both arms
- Unique electrification includes installed conductor wire and electric plugs which allow operator to easily add electric hoists such as the Lodestar hoist (hoist not included)
- Versatile as a floor or overhead mounted unit
- More options for efficient, ergonomic operation in tight spaces or where headroom limitations rule out use of conventional straight armed jibs
- Capacities to one ton and work envelopes to 32 feet in diameter
- One-year warranty
- Made in U.S.A.



Standard duty

Model No.	Capacity* (lbs.)	Reach (ft.)	A (in.)	B (in.)	C (in.)	D (in.)	E (in.)	F (in.)
EAJ1250-8P	1250	8	56	40	6¼	124½	98	31⅝
EAJ1110-9P	1110	9	63	45	6¼	124½	98	31⅝
EAJ1000-10P	1000	10	70	50	6¼	124½	98	31⅝
EAJ910-11P	910	11	77	55	6¼	124½	98	31⅝
EAJ835-12P	835	12	84	60	6¼	124½	98	31⅝
EAJ770-13P	770	13	91	65	6¼	124½	98	31⅝
EAJ715-14P	715	14	98	70	6¼	124½	98	31⅝
EAJ665-15P	665	15	105	75	6¼	124½	98	31⅝

To convert to ceiling mount, change suffix on model to C.

* Include hoist weight to determine capacity.

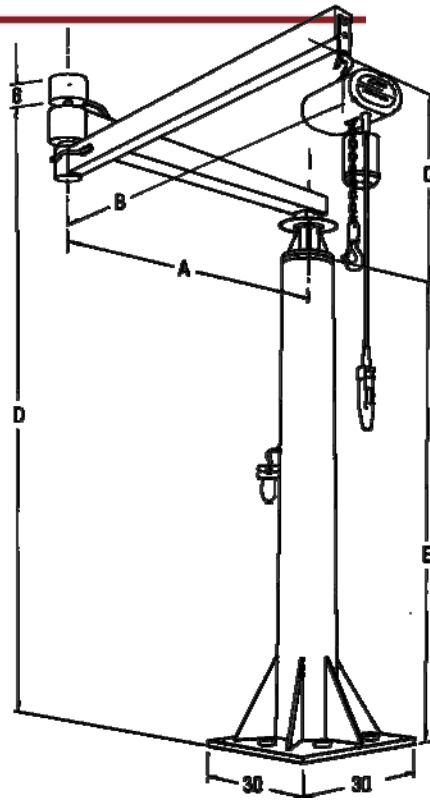
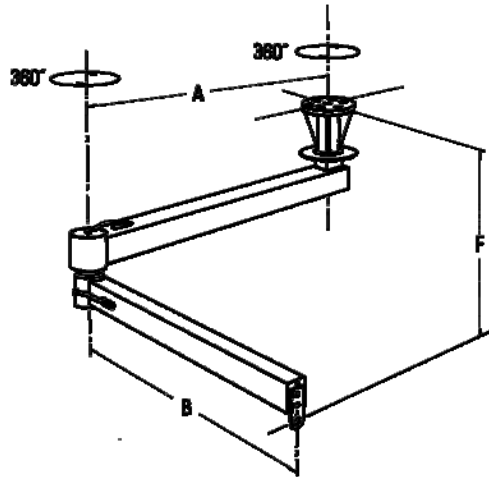


WARNING

Overloading and improper use can result in injury.

To avoid injury:

- Do not exceed wrking load limit, load rating or capacity.
- Do not use to lift people or loads over people.
- Use only alloy chain for overhead lifting.
- Read and follow all instructions.



Heavy duty

Model No.	Capacity* (lbs.)	Reach (ft.)	A (in.)	B (in.)	C (in.)	D (in.)	E (in.)	F (in.)
EAJ2000-8P	2000	8	56	40	11 ³ / ₄	134 ¹ / ₂	98	44 ¹ / ₂
EAJ1785-9P	1785	9	63	45	11 ³ / ₄	134 ¹ / ₂	98	44 ¹ / ₂
EAJ1600-10P	1600	10	70	50	11 ³ / ₄	134 ¹ / ₂	98	44 ¹ / ₂
EAJ1460-11P	1460	11	77	55	11 ³ / ₄	134 ¹ / ₂	98	44 ¹ / ₂
EAJ1340-12P	1340	12	84	60	11 ³ / ₄	134 ¹ / ₂	98	44 ¹ / ₂
EAJ1256-13P	1256	13	91	65	11 ³ / ₄	134 ¹ / ₂	98	44 ¹ / ₂
EAJ1150-14P	1150	14	98	70	11 ³ / ₄	134 ¹ / ₂	98	44 ¹ / ₂
EAJ1071-15P	1071	15	105	75	11 ³ / ₄	134 ¹ / ₂	98	44 ¹ / ₂
EAJ1000-16P	1000	16	112	80	11 ³ / ₄	134 ¹ / ₂	98	44 ¹ / ₂

To convert to ceiling mount, change suffix on model to C.

* Include hoist weight to determine capacity.

Light duty

Model No.	Capacity* (lbs.)	Reach (ft.)	A (in.)	B (in.)	C (in.)	D (in.)	E (in.)	F (in.)
EAJ310-8P	310	8	56	40	3 ⁷ / ₈	106 ¹ / ₄	90	18 ¹ / ₈
EAJ280-9P	280	9	63	45	3 ⁷ / ₈	106 ¹ / ₄	90	18 ¹ / ₈
EAJ250-10P	250	10	70	50	3 ⁷ / ₈	106 ¹ / ₄	90	18 ¹ / ₈
EAJ230-11P	230	11	77	55	3 ⁷ / ₈	106 ¹ / ₄	90	18 ¹ / ₈
EAJ210-12P	210	12	84	60	3 ⁷ / ₈	106 ¹ / ₄	90	18 ¹ / ₈
EAJ190-13P	190	13	91	65	3 ⁷ / ₈	106 ¹ / ₄	90	18 ¹ / ₈
EAJ180-14P	180	14	98	70	3 ⁷ / ₈	106 ¹ / ₄	90	18 ¹ / ₈
EAJ170-15P	170	15	105	75	3 ⁷ / ₈	106 ¹ / ₄	90	18 ¹ / ₈

To convert to ceiling mount, change suffix on model to C.

* Include hoist weight to determine capacity.